

COMPACT VALVE - 1/2

Series DS2

Cat No DS2 - 01 - 05 - B

MANUALLY OPERATED VALVE - G1/2



Features

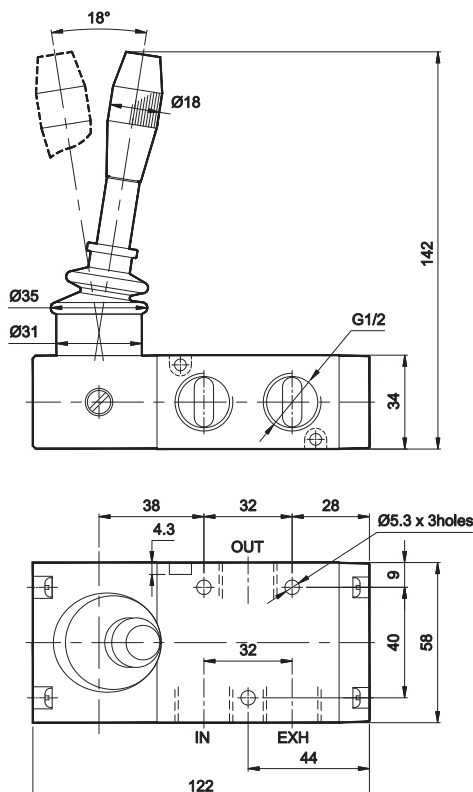
- Compact size
- Suitable for panel mounting
- Mounting provision for individual unit

Technical Specifications

Model	DS2
Type	3/2, 5/2, 5/3
Design	Spool type
Port size	Inlet, Outlet, Exhaust - G1/2
Medium	Compressed air - Dry, filtered, lubricated
Maximum working pressure	10 bar
Recommended oil for lubrication	ISO VG32 (Servo system 32)
Ambient temperature	-10° to +60° C
Medium temperature	+5° to +50° C
Flow @	3500 lts/min
Materials of construction	Aluminium, Nitrile, Brass, Acetal

@ Inlet pressure 6 bar, and pressure drop 1 bar

3 / 2 Hand lever operated valve with spring return



1 - Inlet, 2 - Outlet, 3 - Exhaust

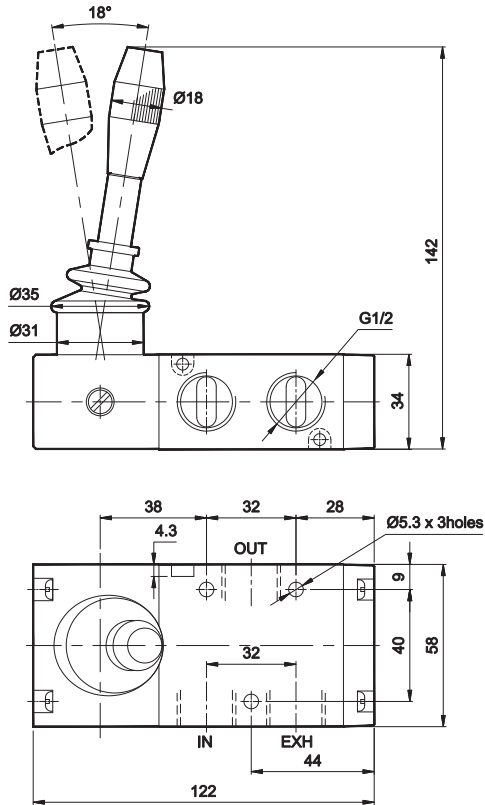
Ordering No	DS237HR63	DS247HR63
Type	Normally open	Normally closed
Symbol		

COMPACT VALVE - 1/2

Series DS2

Cat No DS2 - 01 - 05 - B

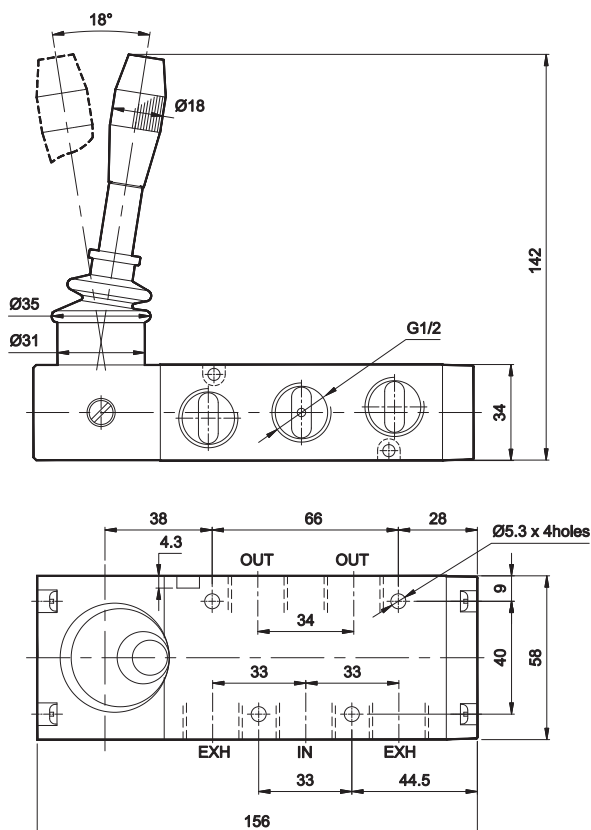
3 / 2 Hand lever operated valve with detent



1 - Inlet, 2 - Outlet, 3 - Exhaust

Ordering No	DS237HD63	DS247HD63
Type	Normally open	Normally closed
Symbol		

5 / 2 Hand lever operated valve with spring return



1 - Inlet, 2,4 - Outlet, 3,5 - Exhaust

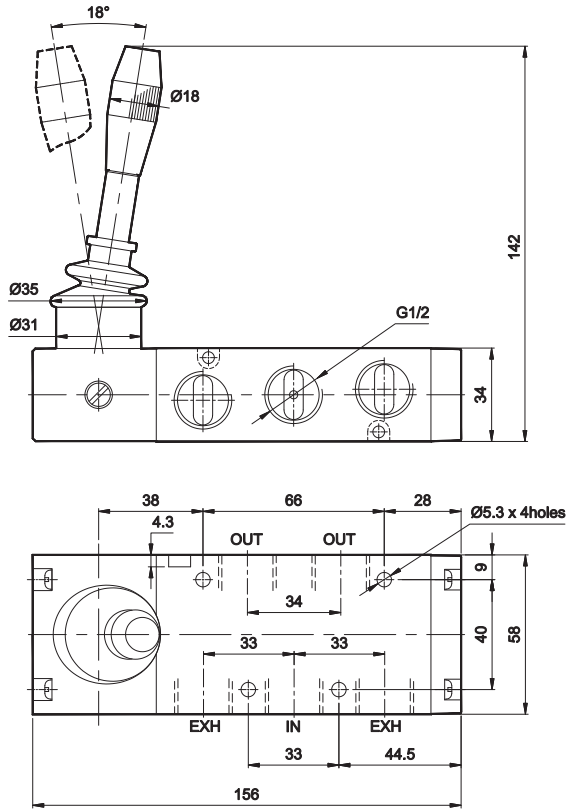
Ordering No	DS257HR63
Symbol	

COMPACT VALVE - 1/2

Series DS2

Cat No DS2 - 01 - 05 - B

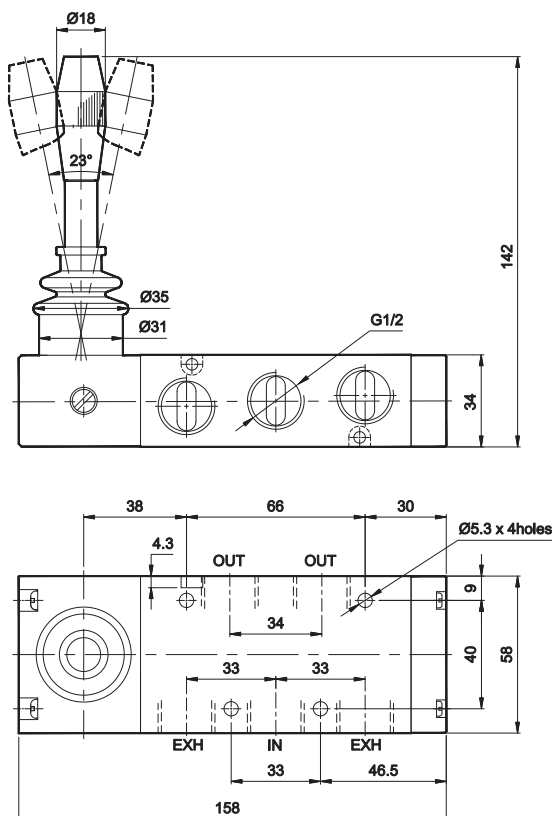
5 / 2 Hand lever operated valve with detent



1 - Inlet, 2,4 - Outlet, 3,5 - Exhaust

Ordering No	DS257HD63
Symbol	

5 / 3 Hand lever operated valve with detent



1 - Inlet, 2,4 - Outlet, 3,5 - Exhaust

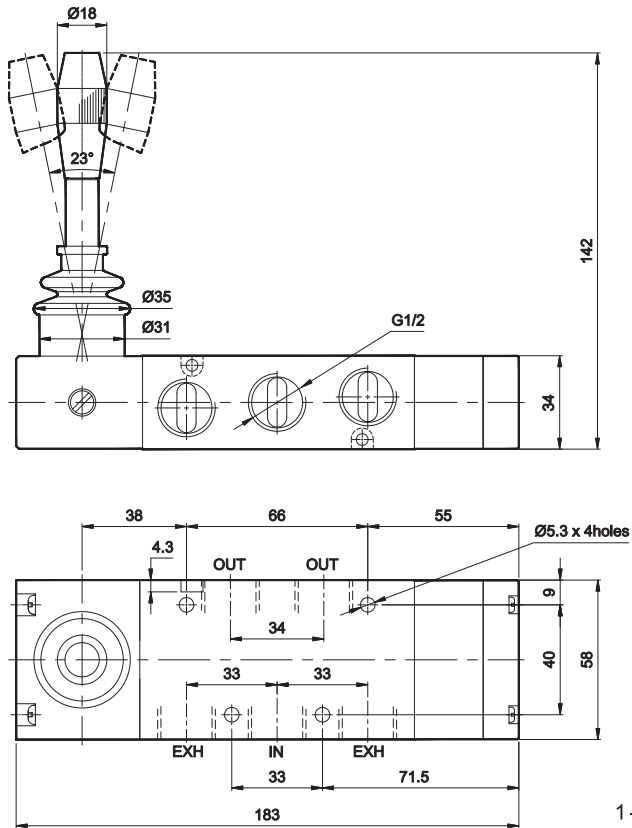
Ordering No	DS267HD63	DS277HD63	DS287HD63
Type	Blocked	Exhausted	Energised
Symbol			

COMPACT VALVE - 1/2

Series DS2

Cat No DS2 - 01 - 05 - B

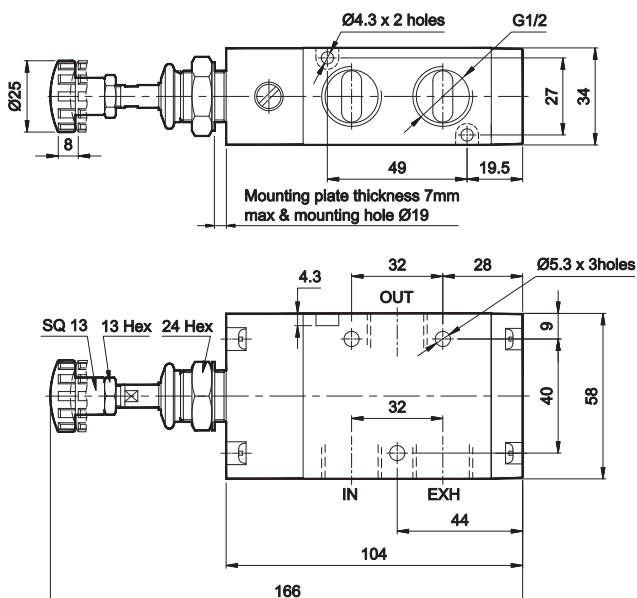
5 / 3 Hand lever operated valve with spring centered



1 - Inlet, 2,4 - Outlet, 3,5 - Exhaust

Ordering No	DS267HC63	DS277HC63	DS287HC63
Type	Blocked	Exhausted	Energised
Symbol	 513	 513	 513

3 / 2 Push Pull operated valve with spring return



1 - Inlet, 2 - Outlet, 3 - Exhaust

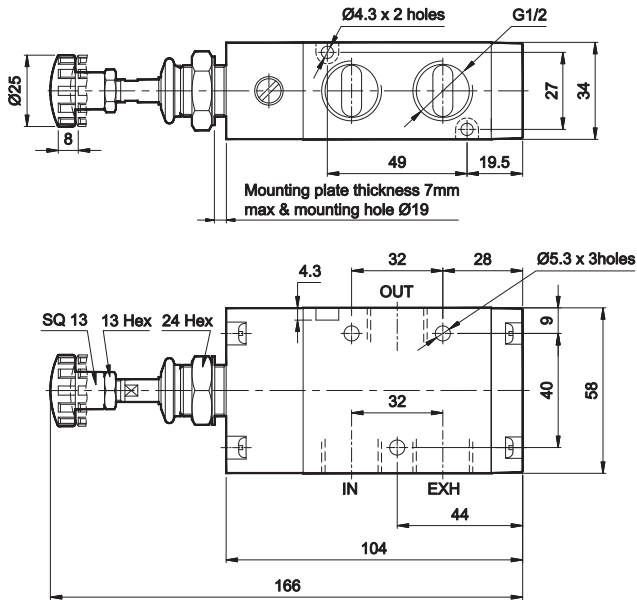
Ordering No	DS237PR63	DS247PR63
Type	Normally open	Normally closed
Symbol	 13	 13

COMPACT VALVE - 1/2

Series DS2

Cat No DS2 - 01 - 05 - B

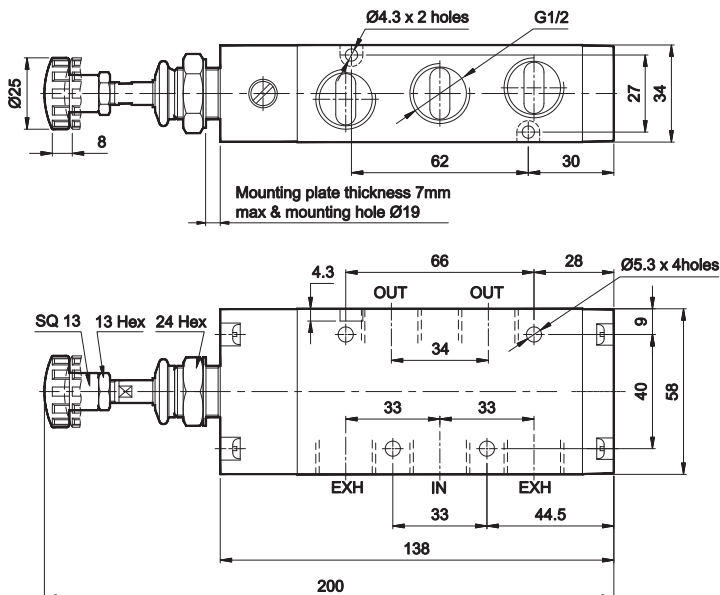
3 / 2 Push Pull operated valve with detent



1 - Inlet, 2 - Outlet, 3 - Exhaust

Ordering No	DS237PD63	DS247PD63
Type	Normally open	Normally closed
Symbol		

5 / 2 Push Pull operated valve with spring return



1 - Inlet, 2,4 - Outlet, 3,5 - Exhaust

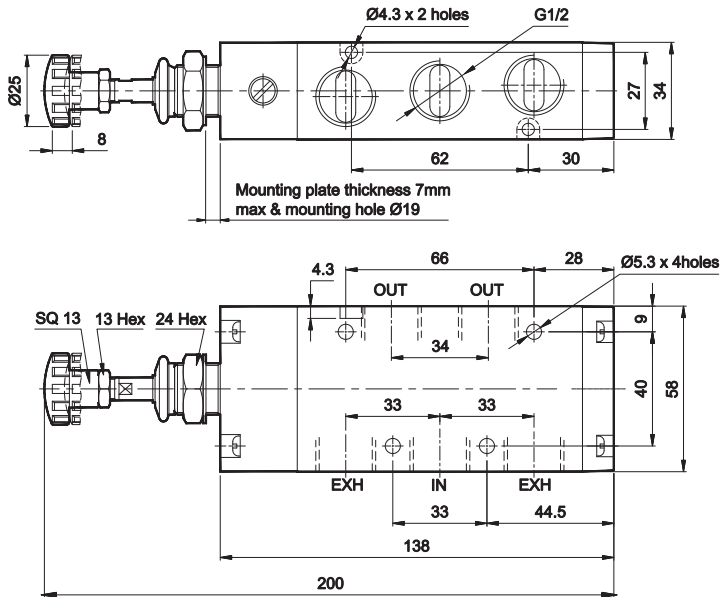
Ordering No	DS257PR63
Symbol	

COMPACT VALVE - 1/2

Series DS2

Cat No DS2 - 01 - 05 - B

5 / 2 Push Pull operated valve with detent



1 - Inlet, 2,4 - Outlet, 3,5 - Exhaust

Ordering No	DS257PD63
Symbol	

How to order

While ordering valve, mention the ordering number given in the corresponding tables.